

NU1025: Integrated Power Stage for High-Integration and High-Efficiency Medium-Power Wireless Power Transmitter

Feature

- Wide Input Voltage: 4V to 21V
- Integrated High-Efficiency Full- Bridge FETs
- Integrated FET Driver Optimized for Low EMI
- Integrated 5V DC/DC for IC power supply
- Integrated 3.3V (2.5V configurable) LDO to Bias External Circuit and Provide Reference Voltage
- High-Accuracy, Lossless Current Measurement for FOD and In-Band Communication
- Integrated Lossless Q Factor Detection
- Integrated Low-Error-Rate Digital Demodulation
- Input UVLO and OVP
- Over-Current Protection
- Thermal Shutdown
- I2C Interface
- 4mm x4mm QFN Package

Applications

- Wireless Power Transmitter Compliant with WPC V1.2.4 Extended Power Profile, Maximum 40W wireless transfer power
- Wireless Power Transmitter for Consumer, Industrial, Automotive Aftermarket, and Medical Applications
- Motor Drivers

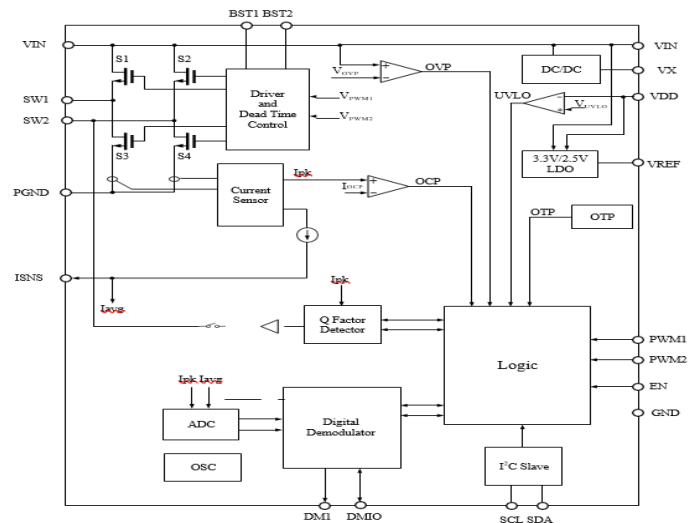
Descriptions

NU1025 is a family of highly integrated full-bridge power stage IC optimized for wireless power transmitter solutions. The device integrates all critical functions, such as high-efficiency power FETs, low-EMI FET drivers, bootstrap circuit, 5V integrated DC/DC power supply, 3.3V (2.5V configurable) LDO and lossless current measurement. The proprietary current-measurement circuit provides the accurate current reading used for the FOD (Foreign Object Detection) power measurement, in-band communication, Q factor detection, and digital demodulation.

The IC also includes protection functions such as input under-voltage lockout, over-voltage protection, over-current protection, and thermal shutdown. These provisions further enhance the reliability of the total system solution.

I²C interface is used for communication with the controller and can easily be extended to multi-coil solutions. The device is housed in a thermally enhanced 4mmx4mm QFN package.

Functional Block Diagram



IMPORTANT NOTICE AND DISCLAIMER

Any information in this document is prohibited from being used, reproduced or disseminated, modified, translated to any third party in any form and/or through any means without the prior written consent of Nuvolta. ALL RIGHTS RESERVED

Disclaimer

Information in this document is for your reference only and is subject to change without notice. It is your responsibility to ensure its application complies with technical specifications.

Nuvolta Technologies Inc (hereafter referred to as "Nuvolta") makes no representation or guarantee for this information, express or implied, oral or written, statutory or otherwise, including but not limited to representation or guarantee for its application, quality, performance, merchantability or fitness for a particular purpose. Nuvolta shall assume no responsibility for this information and relevant consequences arising out of the use of such information.

Under the protection of Nuvolta intellectual property rights, no license may be transferred implicitly or by any other means.

Trademarks

Nuvolta and Nuvolta logo are trademarks of Nuvolta Technologies Inc. All trademarks and registered trademarks are the property of their respective owners.